

Hudson Masonry Order Form

Date: _____

Bill to: _____

Ship to: _____

PO# _____

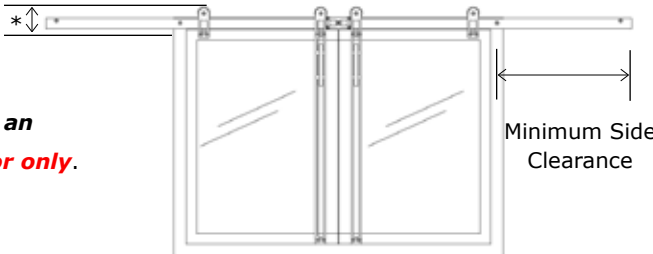
Contact: _____

Tag Name: _____

Phone: _____

Email to: Orders@GlassFireplaceDoors.com or Fax to: (800) 599-2635

*Minimum Top Clearance: 2 3/8"



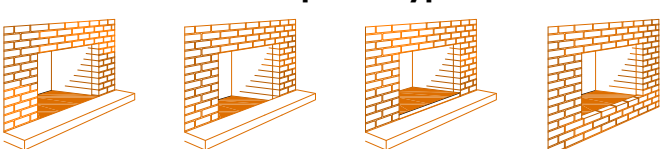
The Hudson is an overlap fitting door only.

$$\frac{\text{Opening Width}}{2} = X$$

$$X - 2 \frac{1}{4}'' = \text{Minimum Side Clearance (Per Side)}$$

Note: This door requires an extended clearance on both sides and top of the opening. To calculate the side clearances, take 1/2 of the opening width dimension and subtract 2 1/4". This will give you the minimum amount of clearance for the rails to sit on each side. The minimum clearance needed on top of the opening is 2 3/8" above the opening.

Fireplace Type



Flush Hearth Raised Hearth Raised Firebox Hole in Wall

Opening Dimensions

Width _____

Hearth to Fascia _____

Hearth to Lintel _____

Depth to Lintel _____

Difference Between Hearth and Firebox Floor _____

If Firebox tapers, enter the width 2" back from the opening: _____

Finish

Outer Frame _____

Door Frame _____

Handle Style _____

Glass

Clear Grey Bronze Black

1/2" Bevel 1" Bevel

Mesh

None Curtain Mesh Gate Mesh Gate Mesh, No Glass

Other Options

Lintel Clamps

Extra Long Mounting Brackets

Optional Overall Door Size

For exact size doors, enter the overall width and height of the door. Please ensure door will fit opening.

_____ X _____

Overall Door Width Overall Door Height

Special Conditions or Notes:

Express (\$200)

Hud

Make option selections by circling your choice(s).