

# Roller Doors Order Form

Date: \_\_\_\_\_

Bill to: \_\_\_\_\_  
 \_\_\_\_\_  
 \_\_\_\_\_

Ship to: \_\_\_\_\_  
 \_\_\_\_\_  
 \_\_\_\_\_

PO# \_\_\_\_\_

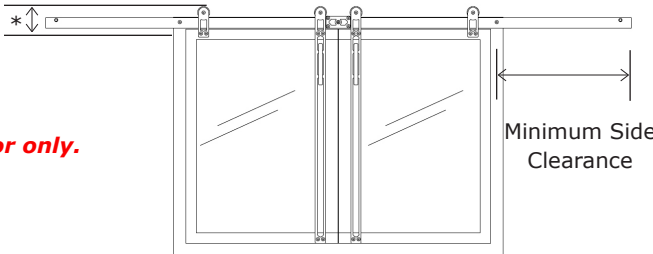
Contact: \_\_\_\_\_

Tag Name: \_\_\_\_\_

Phone: \_\_\_\_\_

Email to: [Orders@GlassFireplaceDoors.com](mailto:Orders@GlassFireplaceDoors.com) or Fax to: (800) 599-2635

\*Minimum Top Clearance: 2 3/8"



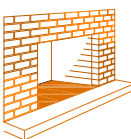
**Overlap fitting door only.**

$$\frac{\text{Opening Width}}{2} = X$$

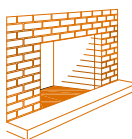
$$X - 2 \frac{1}{4}'' = \text{Minimum Side Clearance (Per Side)}$$

**Note:** This door requires an extended clearance on both sides and top of the opening. To calculate the side clearances, take 1/2 of the opening width dimension and subtract 2 1/4". This will give you the minimum amount of clearance for the rails to sit on each side. The minimum clearance needed on top of the opening is 2 3/8" above the opening.

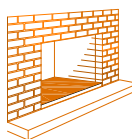
**Fireplace Type**



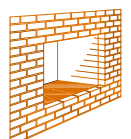
Flush Hearth



Raised Hearth



Raised Firebox



Hole in Wall

**Door Model**

Hudson    Moderne    Odyssey

**Finish**

Outer Frame \_\_\_\_\_

Door Frame \_\_\_\_\_

Handle Style \_\_\_\_\_

**Opening Dimensions**

Width \_\_\_\_\_

Hearth to Fascia \_\_\_\_\_

Hearth to Lintel \_\_\_\_\_

Depth to Lintel \_\_\_\_\_

Difference BetweenHearth and Firebox Floor \_\_\_\_\_

If Firebox tapers, enter the width 2" back from the opening: \_\_\_\_\_

**Glass**

Clear    Grey    Bronze    Black

          1/2" Bevel\*    1" Bevel\*

\*No Bevel option on the Odyssey

**Mesh**

None    Curtain Mesh    Gate Mesh    Gate Mesh No Glass

Single Panel Gate Mesh

**Special Conditions or Notes:**

**Other Options**

Lintel Clamps

Extra Long Mounting Brackets

**Optional Overall Door Size**

For exact size doors, enter the overall width and height of the door. Please ensure door will fit opening.

\_\_\_\_\_ X \_\_\_\_\_

Overall Door Width      Overall Door Height

**Express (\$200)**

Make option selections by circling your choice(s).