

Roller Doors Order Form

Date: _____

Bill to: _____

Ship to: _____

PO# _____

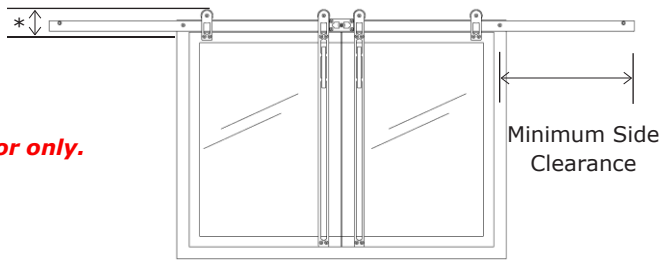
Contact: _____

Tag Name: _____

Phone: _____

Email to: Orders@GlassFireplaceDoors.com or Fax to: (800) 599-2635

*Minimum Top Clearance: 2 3/8"



Overlap fitting door only.

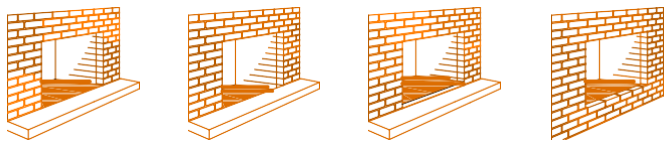
Minimum Side Clearance

$$\frac{\text{Opening Width}}{2} = X$$

$$X - 2 \frac{1}{4}'' = \text{Minimum Side Clearance (Per Side)}$$

Note: This door requires an extended clearance on both sides and top of the opening. To calculate the side clearances, take 1/2 of the opening width dimension and subtract 2 1/4". This will give you the minimum amount of clearance for the rails to sit on each side. The minimum clearance needed on top of the opening is 2 3/8" above the opening.

Fireplace Type



Flush Hearth
Raised Hearth
Raised Firebox
Hole in Wall

Door Model

Hudson Moderne Odyssey

Finish

Outer Frame _____

Door Frame _____

Handle Style _____

Opening Dimensions

Width _____

Hearth to Fascia _____

Hearth to Lintel _____

Depth to Lintel _____

Difference BetweenHearth and Firebox Floor _____

If Firebox tapers, enter the width 2" back from the opening: _____

Glass

Clear Grey Bronze Black

1/2" Bevel* 1" Bevel*

*No Bevel option on the Odyssey

Mesh

None Curtain Mesh Gate Mesh Gate Mesh No Glass

Single Panel Gate Mesh

Other Options

Cable Operation

Remote Control Operation

Lintel Clamps

Extra Long Mounting Brackets

Optional Overall Door Size

For exact size doors, enter the overall width and height of the door. Please ensure door will fit opening.

_____ X _____

Overall Door Width Overall Door Height

Special Conditions or Notes:

Express (\$200)

Make option selections by circling your choice(s).